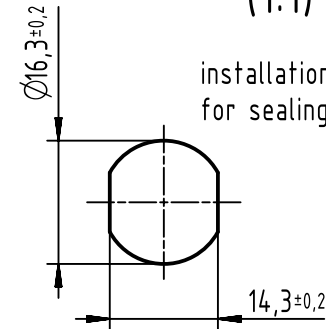
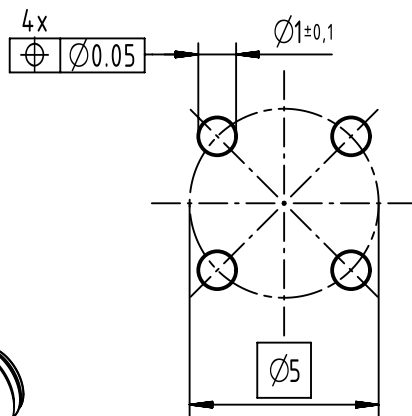


panel cut out
(1:1)

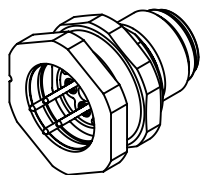
PCB layout
(5:1)



installation surface
for sealing ring



recommended PCB thickness 1,6mm



	All rights reserved Department EL PD	All Dimensions in mm Original Size DIN A4		Scale 2:1	Free size tol.	Ref. Sub.
		Created by 104122	Inspected by WELLMANN	Standardisation HOFFMANN	Date 2019-12-02	State Final Release
HARTING Electronics GmbH D-32339 Espelkamp		Title HARTING M12 PFT D-coded 4-pole male			Doc-Key / ECM-Nr. 100216520/UGD/003/E 500000157713	
		Type TB	Number 21033711400		Rev. E	Page 1/1